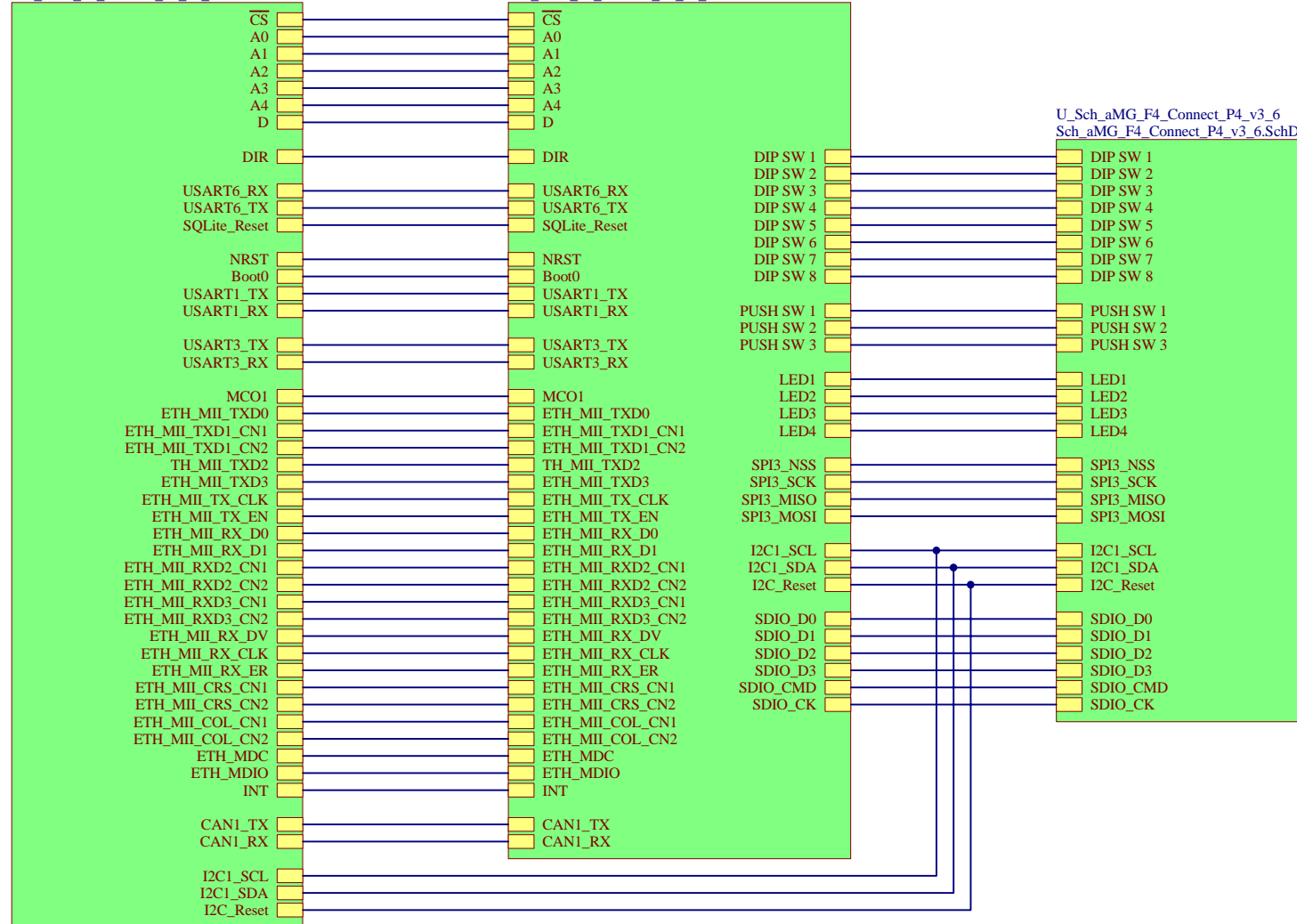


U_Sch_aMG_F4_Connect_P3_v3_6
 Sch_aMG_F4_Connect_P3_v3_6.SchDoc

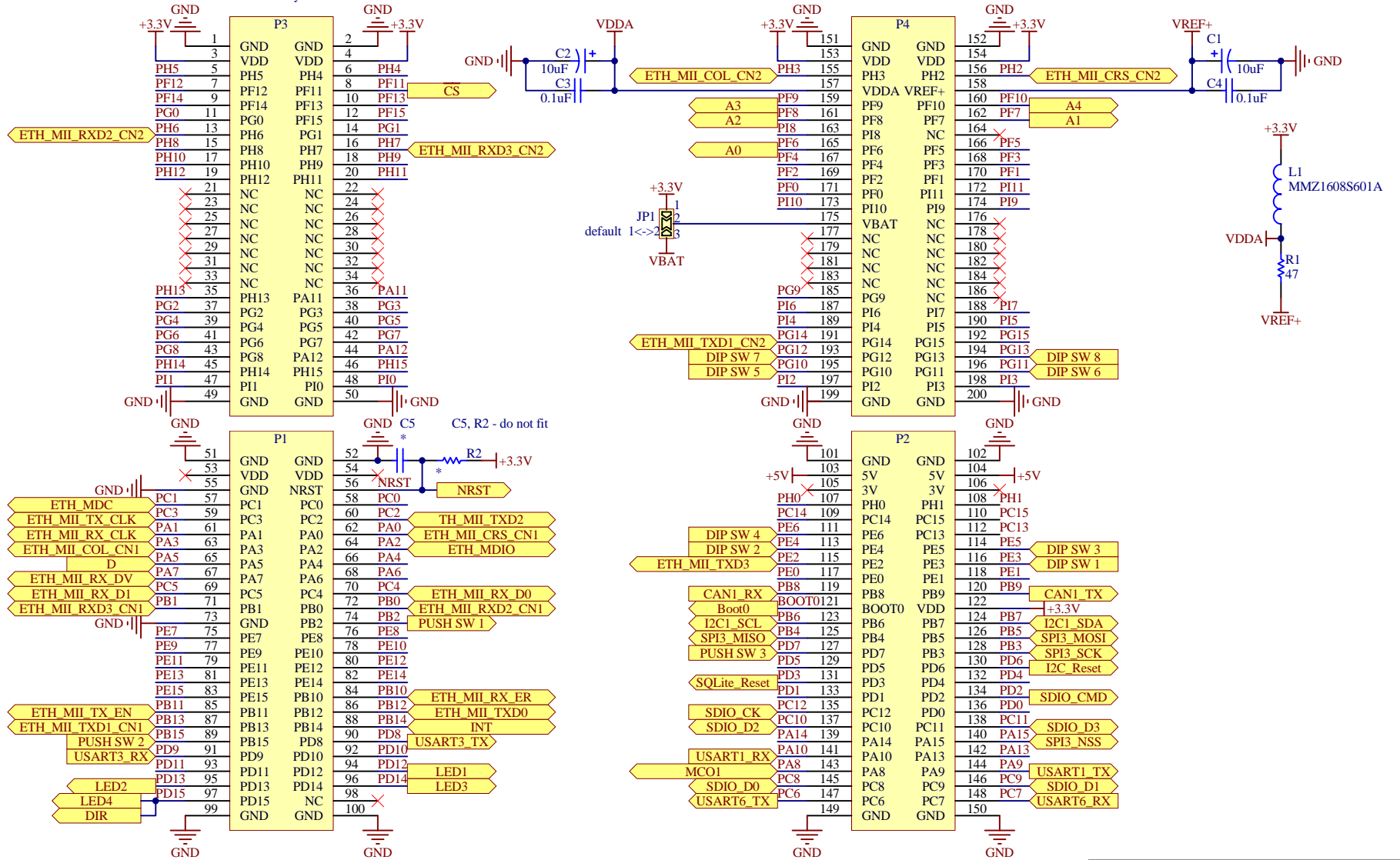
U_Sch_aMG_F4_Connect_P2_v3_6
 Sch_aMG_F4_Connect_P2_v3_6.SchDoc

U_Sch_aMG_F4_Connect_P4_v3_6
 Sch_aMG_F4_Connect_P4_v3_6.SchDoc



Micro Controller

U1
F4 Discovery & FIO 2 Socket



Aimagin

Title :

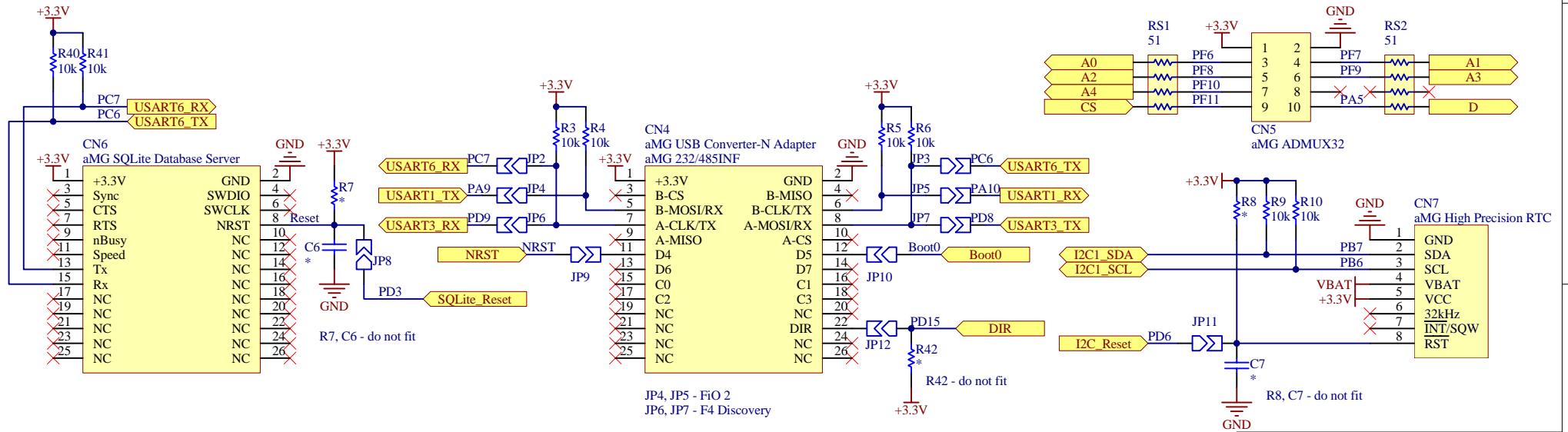
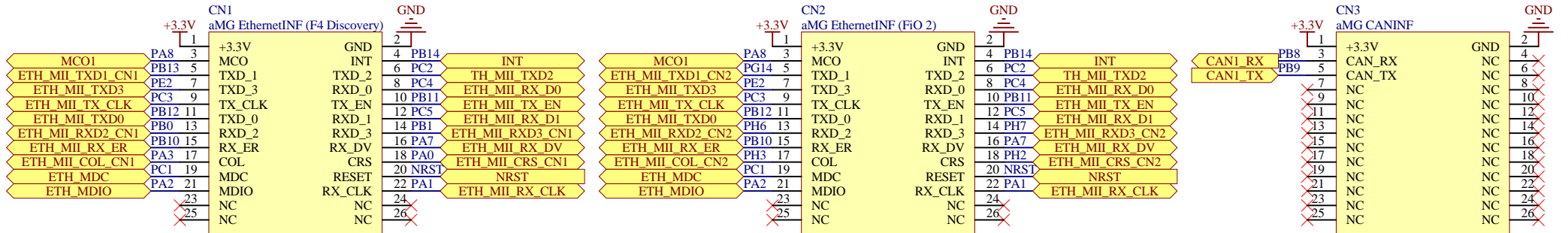
aMG F4 Connect

Rev : 3.6

Date : 04-08-2013

Sheet : 2 of 4

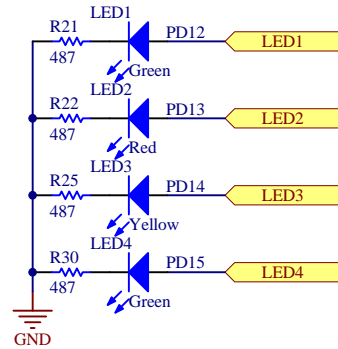
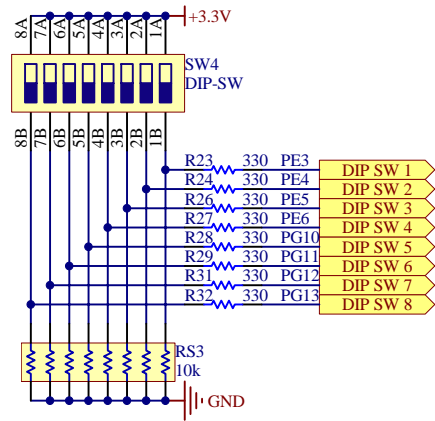
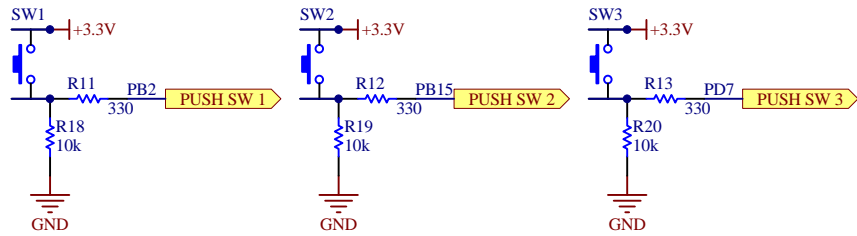
Module



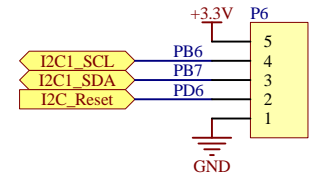
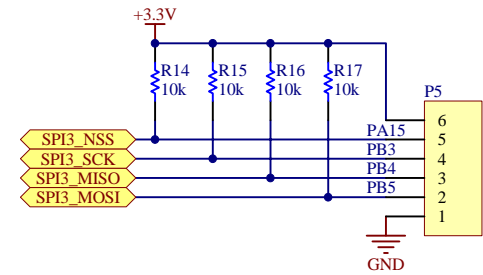
Aimagin

Title : aMG F4 Connect		
Rev : 3.6	Date : 04-08-2013	Sheet : 3 of 4

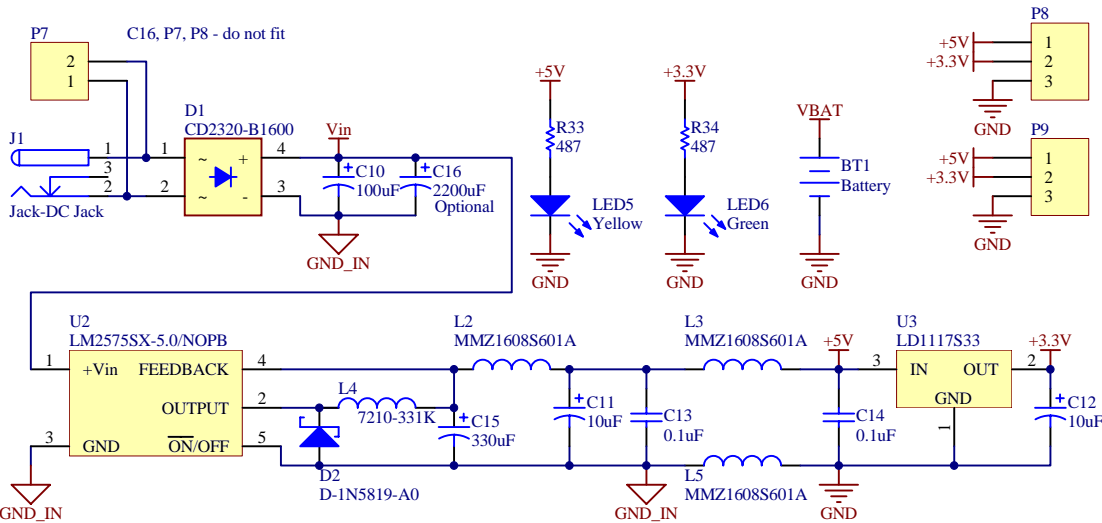
Digital Input Output



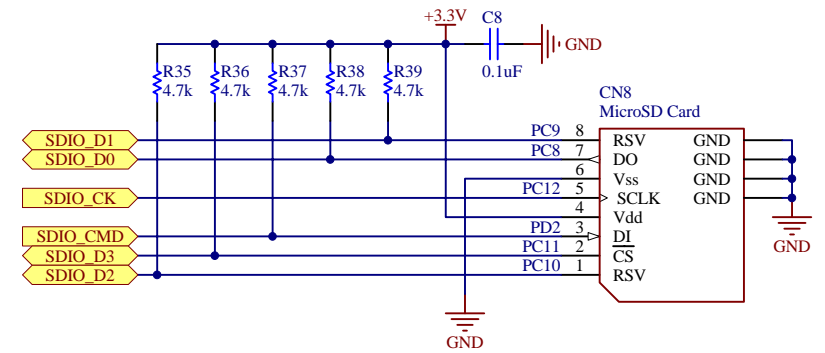
SPI & I2C



Power Supply



MicroSD Card



Aimagin

Title :		
aMG F4 Connect		
Rev : 3.6	Date : 04-08-2013	Sheet : 4 of 4